

Shelter Shutters Universal Door Glass Measure Form

Shelter Shutters are reversible so the same shutter works on a left or right hinge door

Rooms _____

 QTY _____ Measured By _____ phone _____

Door Closer

If the molding around the glass is not completely flush with the door, be sure to record molding dimensions B & D

GLASS WIDTH

MOLDING WIDTH (if not flush with door)

GLASS LENGTH

MOLDING LENGTH (if not flush with door)

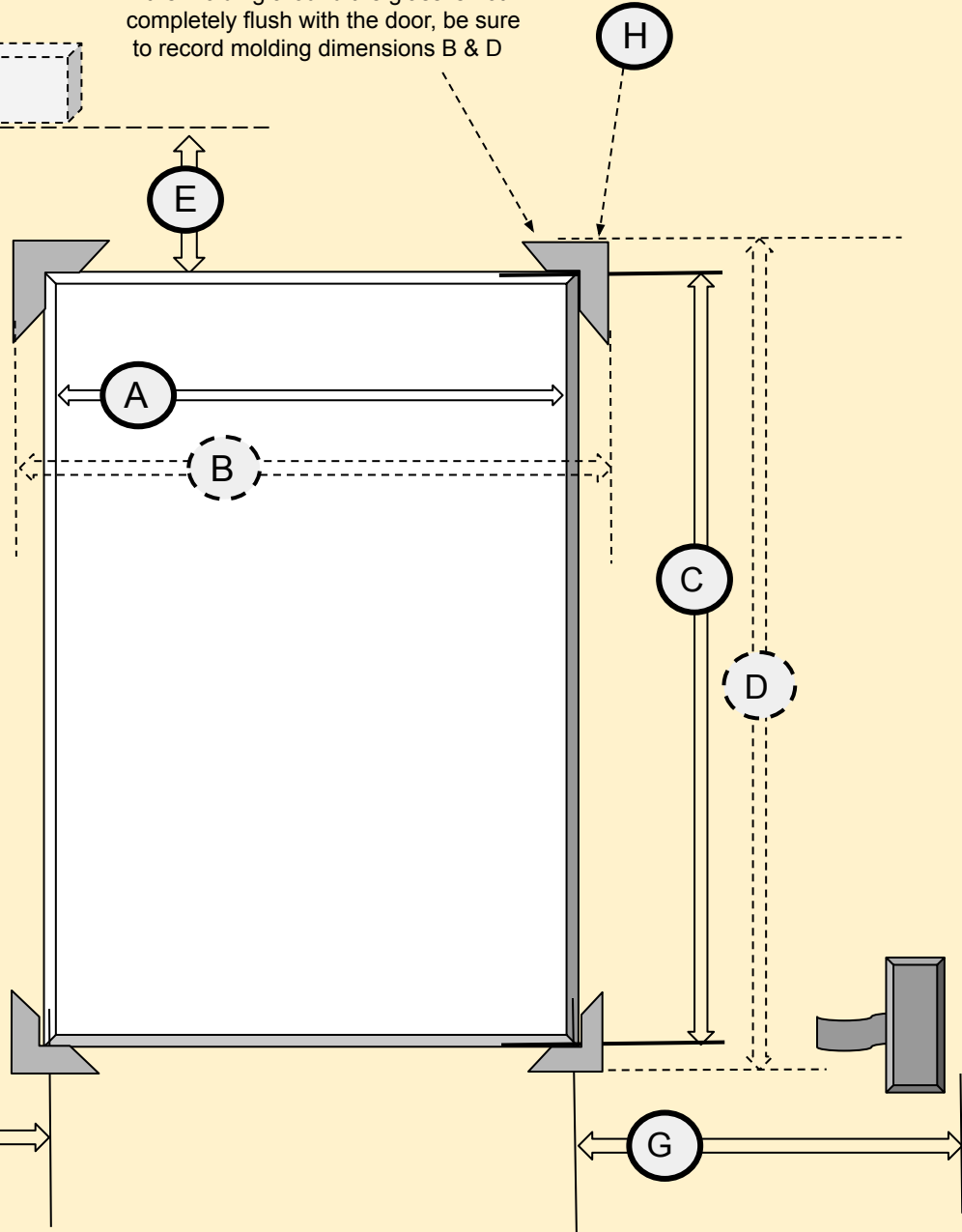
DOOR CLOSER TO GLASS

LEFT DOOR EDGE TO GLASS

RIGHT DOOR EDGE TO GLASS

If there is a raised molding, is it made of steel?

Is your door made of steel?



If the molding around your door glass is raised above the door surface (bumps out), your Shelter Shutters will be made to fit the molding size unless otherwise specified.

If the door has a flush window, Shelter Shutters will be made 3" wider and longer than glass measurements A and C, that you supply.

If your door has a flush molding around the glass please put an X in boxes B and D. If you have no door closer, put an X in box E.

Shelter Shutters Phone 1-800-624-1695
 Email support@sheltershutters.com

Contact _____

Phone _____

School Name _____

Street _____

City _____

State _____ Zip _____

USE THIS FORM FOR FLUSH OR FLAT DOORS WITH NO RAISED MOLDING AROUND THE GLASS ONLY